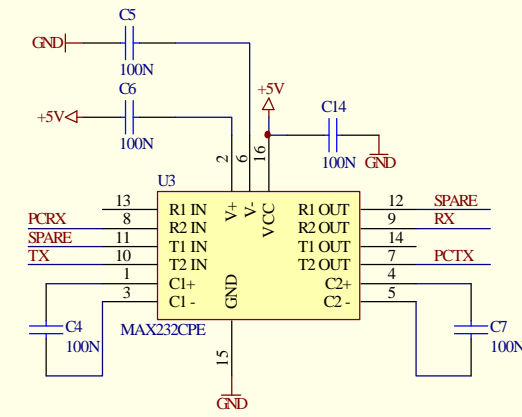
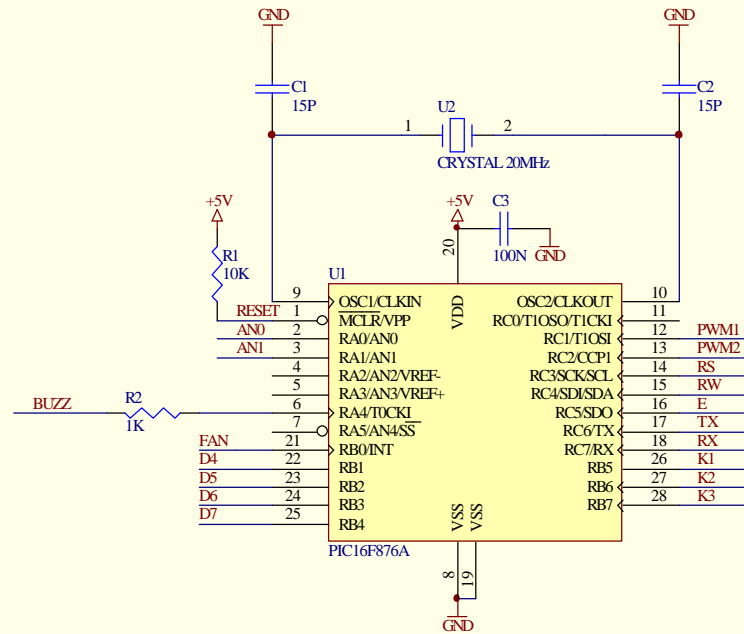
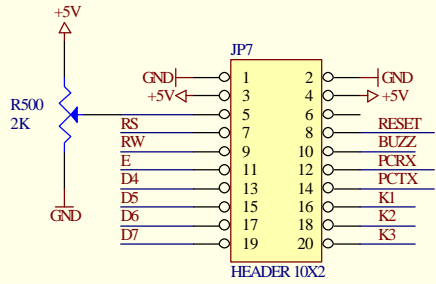
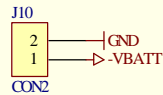


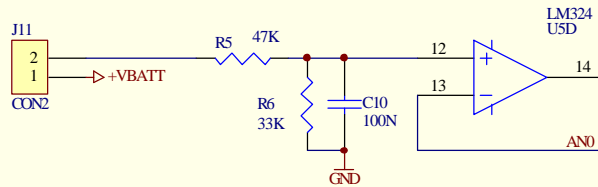
PANEL CONNECTOR



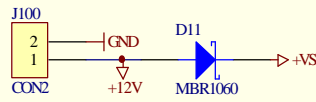
BATTERY -



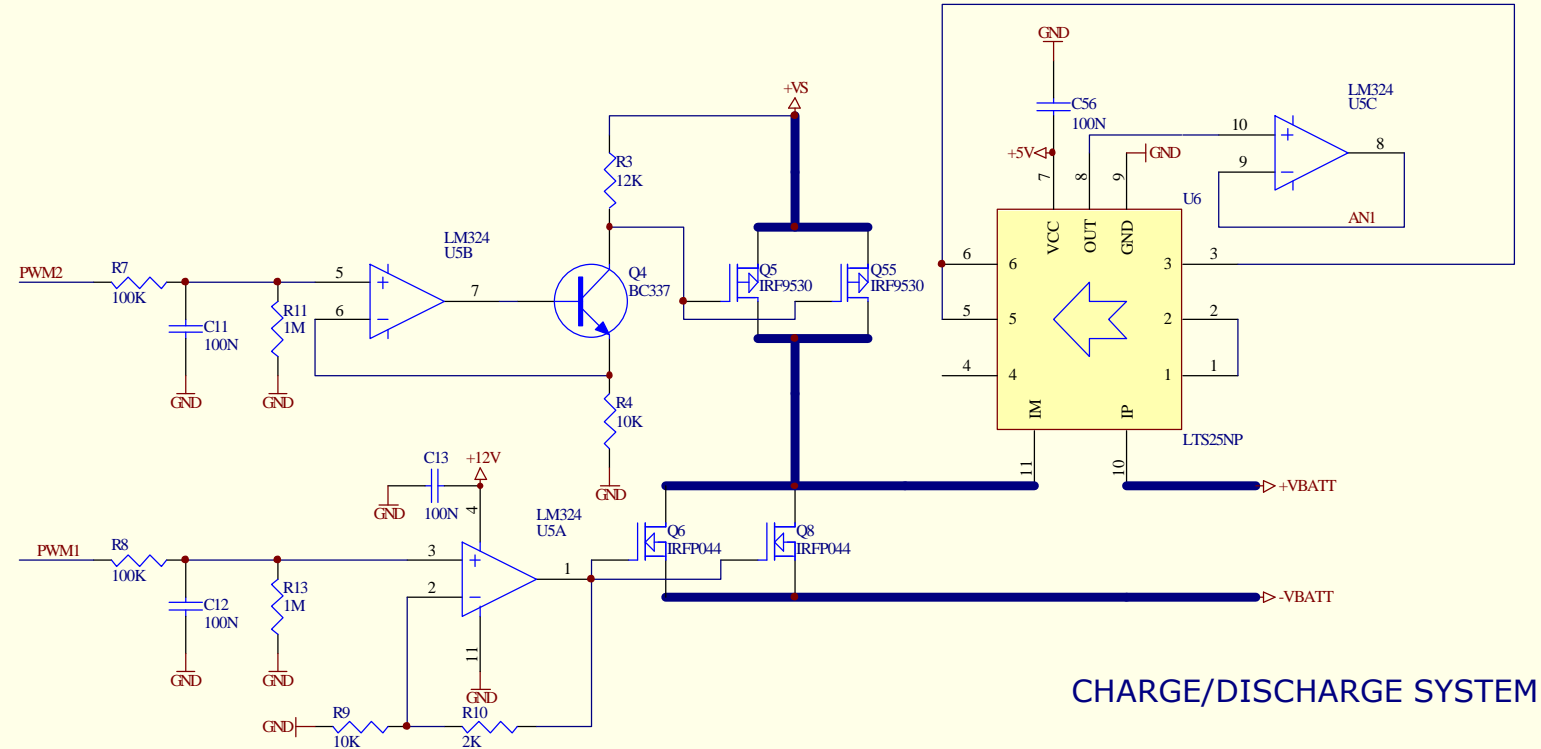
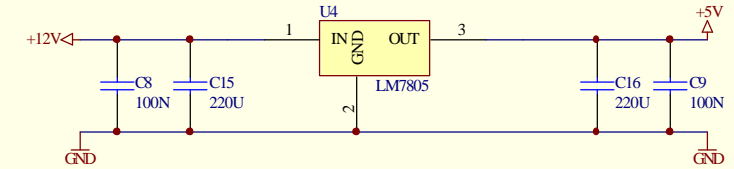
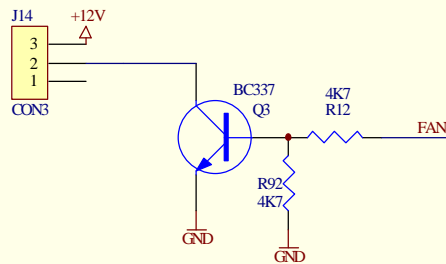
BATTERY +



POWER SUPPLY



FAN COOLER



CHARGE/DISCHARGE SYSTEM